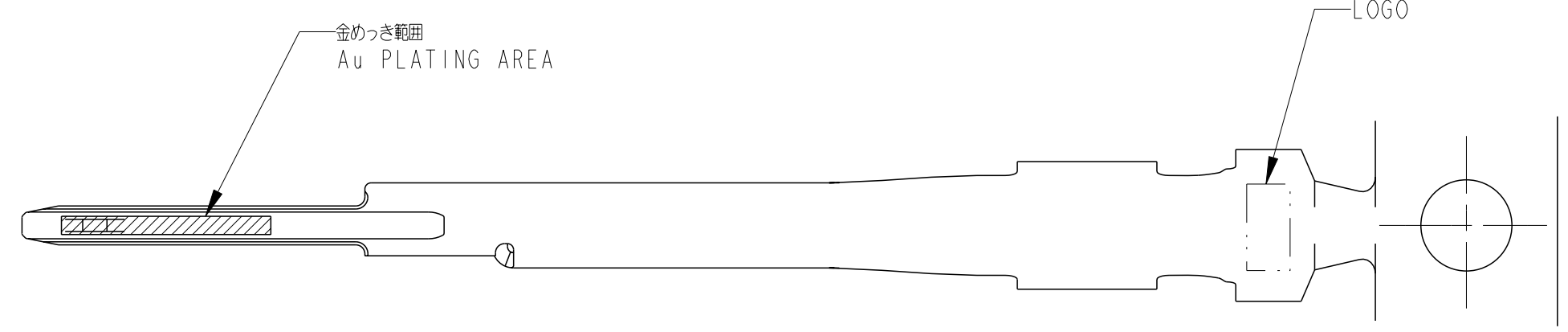
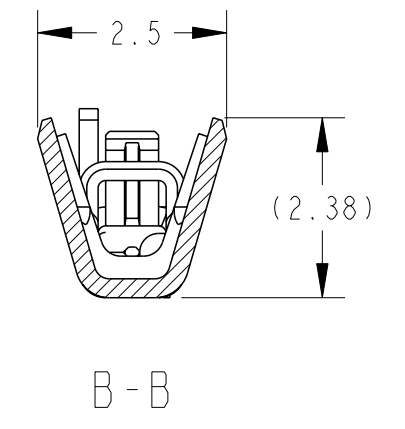
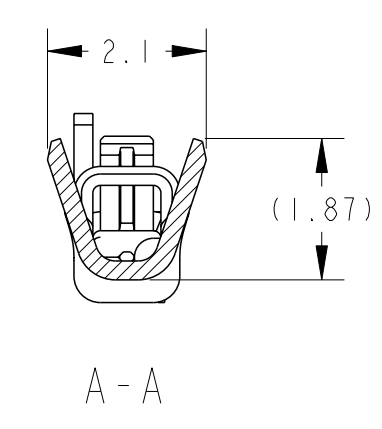
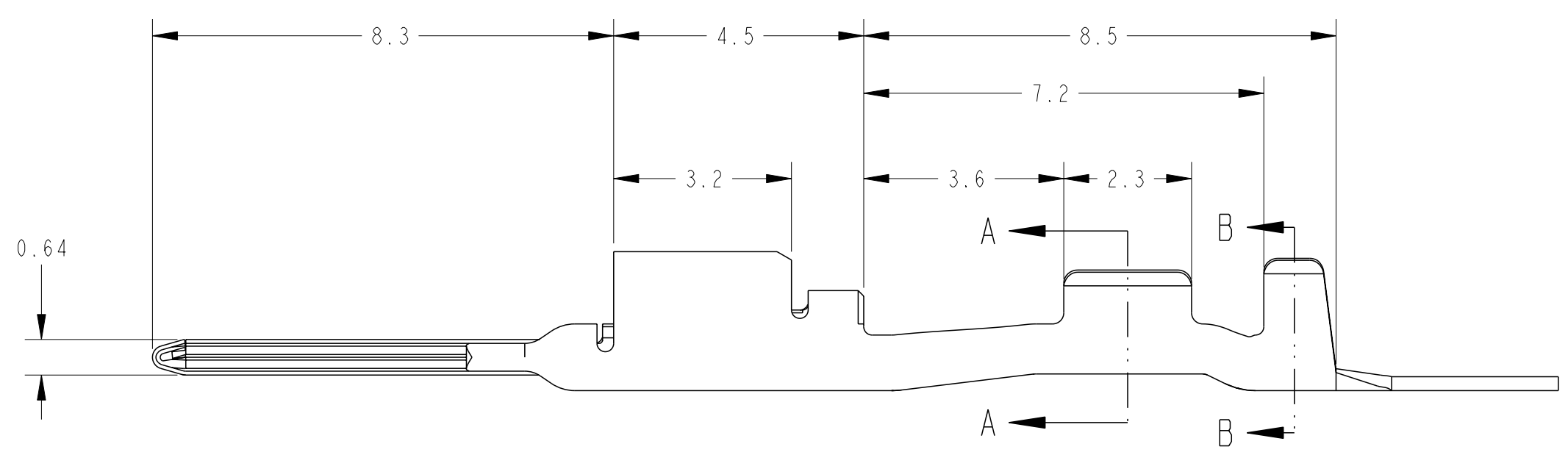
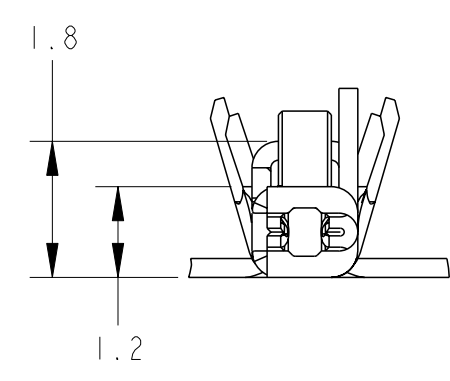
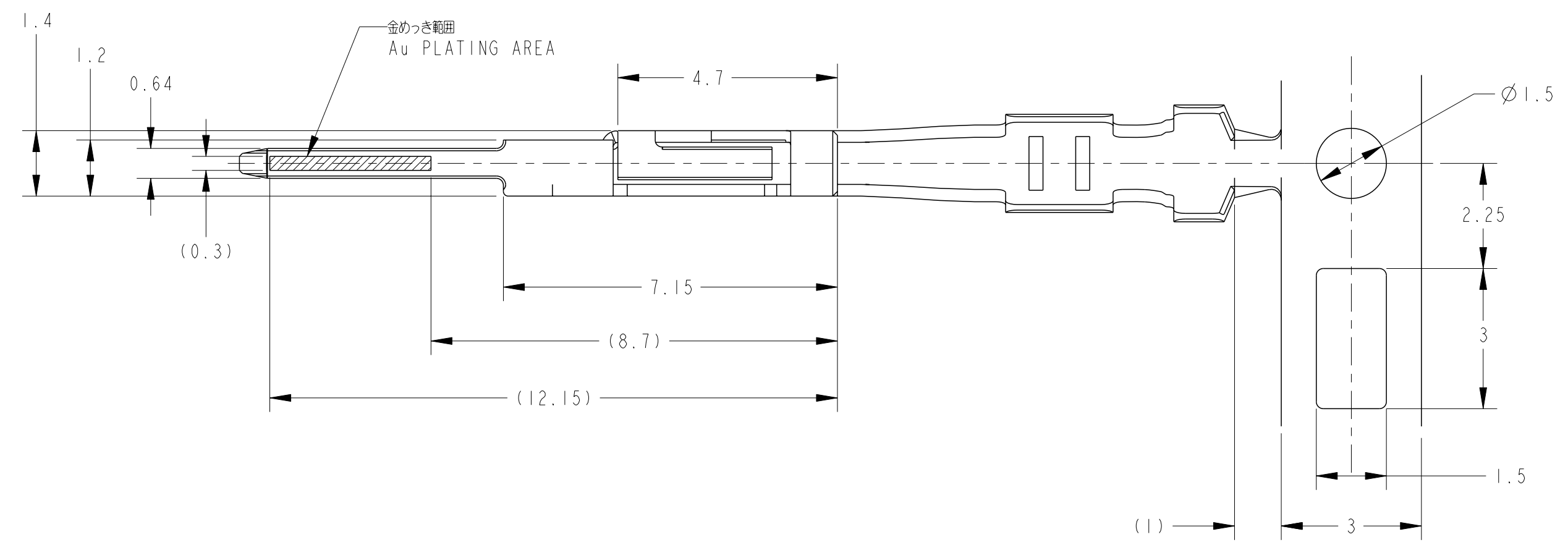


THIS DRAWING IS UNPUBLISHED. RELEASED FOR PUBLICATION 20  
 © COPYRIGHT 20 ALL RIGHTS RESERVED.

LOC J  
 R1ST

REVISIONS					
P	LTR	DESCRIPTION	ECN	DATE	APVD
A3		REVISED PER ECO-11-005140		02APR2011	RK HMR
B		REVISED ECR-15-014555		09OCT2015	AY RK



- 1. 適用電線; AVSS, AVSSH-f 0.3~0.5mm<sup>2</sup>  
CAVS, CAVUS 0.22~0.5mm<sup>2</sup>  
CHFUS 0.5mm<sup>2</sup>  
HFSS-f 0.5mm<sup>2</sup>
  - 2. アプリケータ送りピッチ; 7.5mm
  - 3. パラ端子型番;  
PRE-TIN; 1376607-1  
SELECTIVE GOLD; 1376607-2
1. APPLICABLE WIRE RANGE;  
AVSS, AVSSH-f 0.3~0.5mm<sup>2</sup>  
CAVS, CAVUS 0.22~0.5mm<sup>2</sup>  
CHFUS 0.5mm<sup>2</sup>  
HFSS-f 0.5mm<sup>2</sup>
2. APPLICATOR FEED; 7.5mm
3. P/N OF LOOSE PIECE;  
PRE-TIN; 1376607-1  
SELECTIVE GOLD; 1376607-2

SELECTIVE GOLD	1376109-2
PRE-TIN	1376109-1
FINISH	PART NO.

WIRE RANGE 総合電線範囲 0.22~0.56mm<sup>2</sup> INSULATION DIA 被覆外径 Ø0.95~1.7



025 TAB CONTACT

THIS DRAWING IS A CONTROLLED DOCUMENT.		DWN T. KOHNO 09-JUL-04
DIMENSIONS: 単位: 特 mm		CHK N. SAI 09-JUL-04
TOLERANCES UNLESS OTHERWISE SPECIFIED: 公差: ±0.3		APVD K. SHIMIZU 09-JUL-04
0-PLC ±0.3		PRODUCT SPEC
1-PLC ±0.5		APPLICATION SPEC
2-PLC ±0.13		取付適用規格
3-PLC ±0.013		114-5291
4-PLC ±0.0001		WEIGHT 0.19g
ANGLES ±3°		Customer Drawing
MATERIAL 材料 COPPER ALLOY	FINISH 仕上 SEE TABLE	SCALE 10:1

SIZE A2	CAGE CODE 00779	DRAWING NO. C-1376109	RESTRICTED TO
SHEET 1 OF 1			REV B