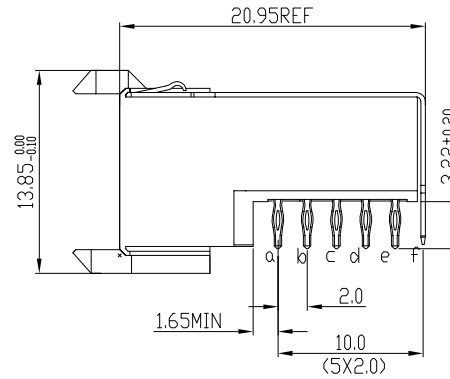
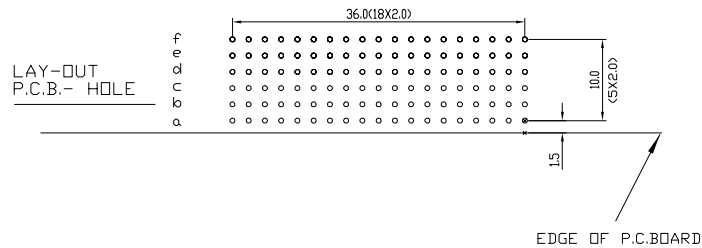
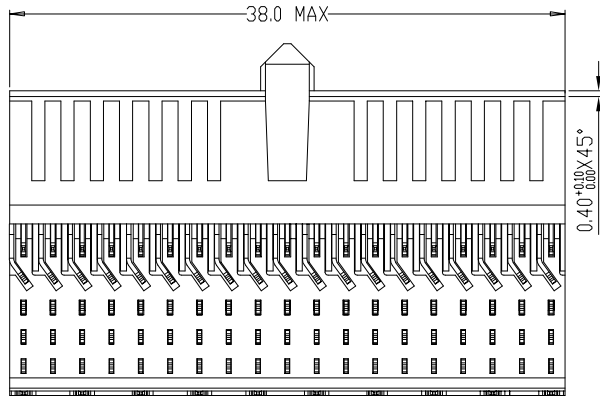
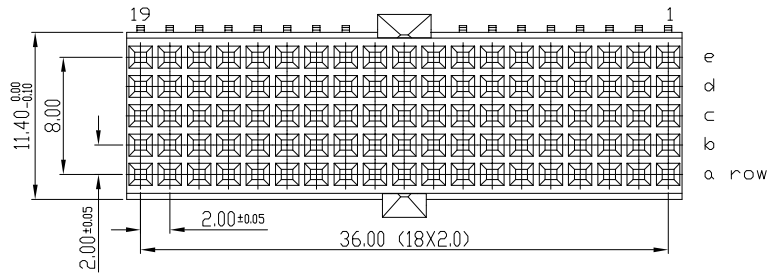


Tous droits strictement reserves. Reproduction ou communication a des tiers interdite sous quelque forme que ce soit sans autorisation ecrite du propriétaire. Propriete de c FCI. Droits de reproduction FCI.



All rights strictly reserved. Reproduction or issue to third parties in any form whatever is not permitted without written authority from the proprietor. Property of FCI. Copyright FCI.



PERFORMANCE CHARACTERISTICS

CURRENT RATING: 1.5 A AT 20°C (FULLY LOADED)  
 1 A AT 70°C (FULLY LOADED)  
 RATED VOLTAGE: 500 V AC (CONT /CONT)  
 OPERATING TEMPERATURE : -55°C TO 125°C  
 CONTACT RESISTANCE : 20 mΩ MAX  
 INSERTION FORCE: 0.75N MAX/CONT  
 EXTRACTION FORCE : 0.15N MIN /CONT  
 INSULATION RESISTANCE: 10<sup>4</sup> MΩ MIN

NOTES

- LEAD FREE INDICATOR :LF=LEAD FREE
- PERFORMANCE LEVEL INDICATOR (REF DWG NO.BS.C.201844.003)
- THIS PRODUCT IS CSA APPROVED. THIS PRODUCT IS UL RECOGNIZED.
- FOR RECOMMENDED PTH DIMENSIONS REFER DRAWING :BSA.201572.001
- THIS PRODUCT (LF) MEETS EUROPEAN UNION DIRECTIVES AND OTHER COUNTRY REGULATIONS AS DESCRIBED IN GS-22-008

rev	ecn no	dr	date
A	conversion version 03	KN	14-09-01
B	105-0085	MINI	06-06-05
C	DG05-0278	Kason	02-08-05
D	DG07-0362	Kason	05-09-07
E	DG10-0110	NZ	05-30-10

Material		Spec ref		
Mat code		✓	tolerance	projection
Heat treat			1DEC+0.2 1DEC 2DEC ±0.1 2DEC ANGLES ±1° HDEKEN	
Plating/Finish		Dr	N.OTTO	06-05-99
		Eng		
		Chr		
		Appr		
		Product family	MILLIPICS	
		Model Name	ECN	
		Model Revision	REL Level	
	title	MPACS 5+2R RA RCP CONN TYPE AB		dwg no
Pro/E file	catalog no	HM2R67PA5108----	CUSTOMER	BS,C ,201444,046
			sheet 1 of 1	Rev. E