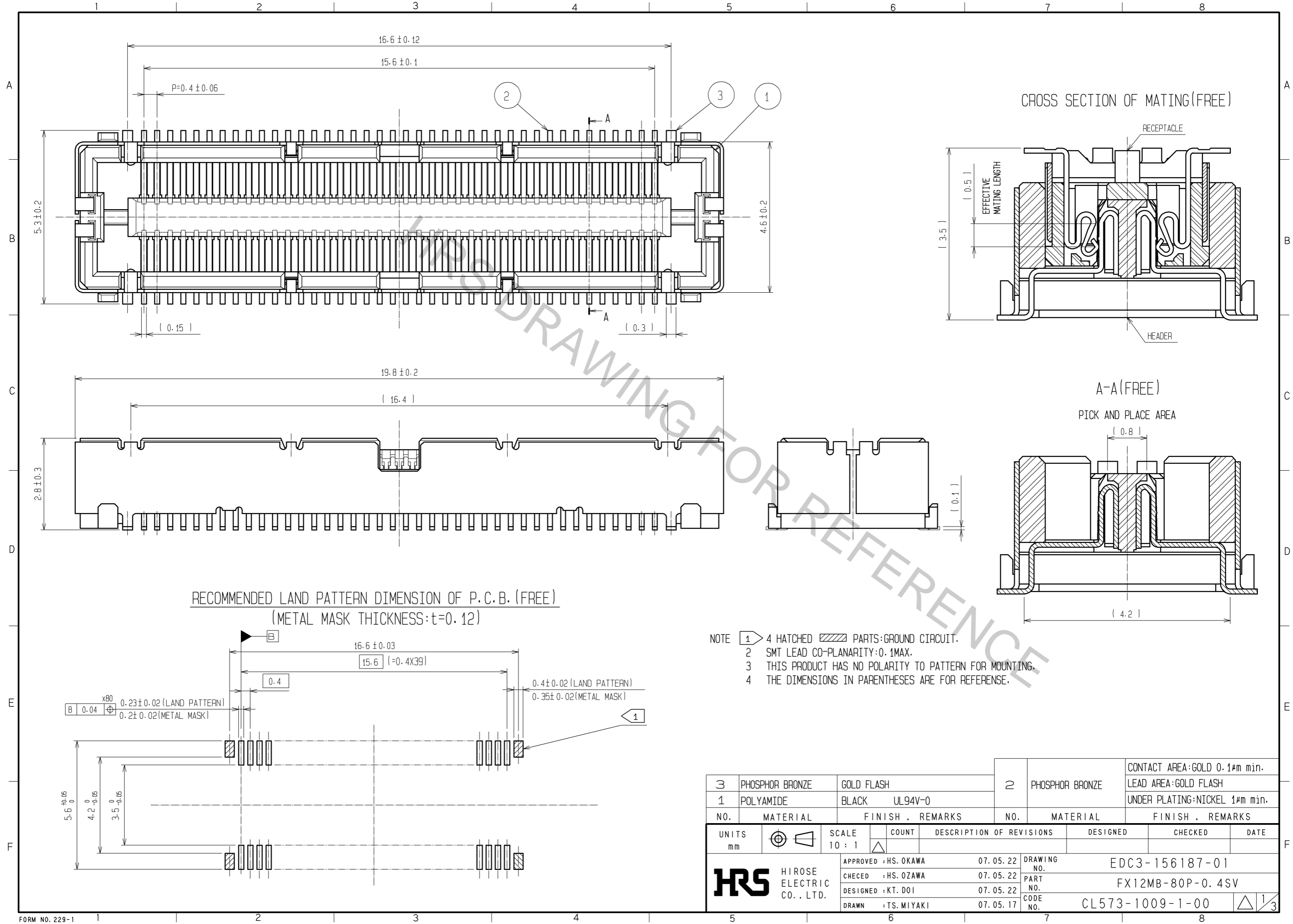
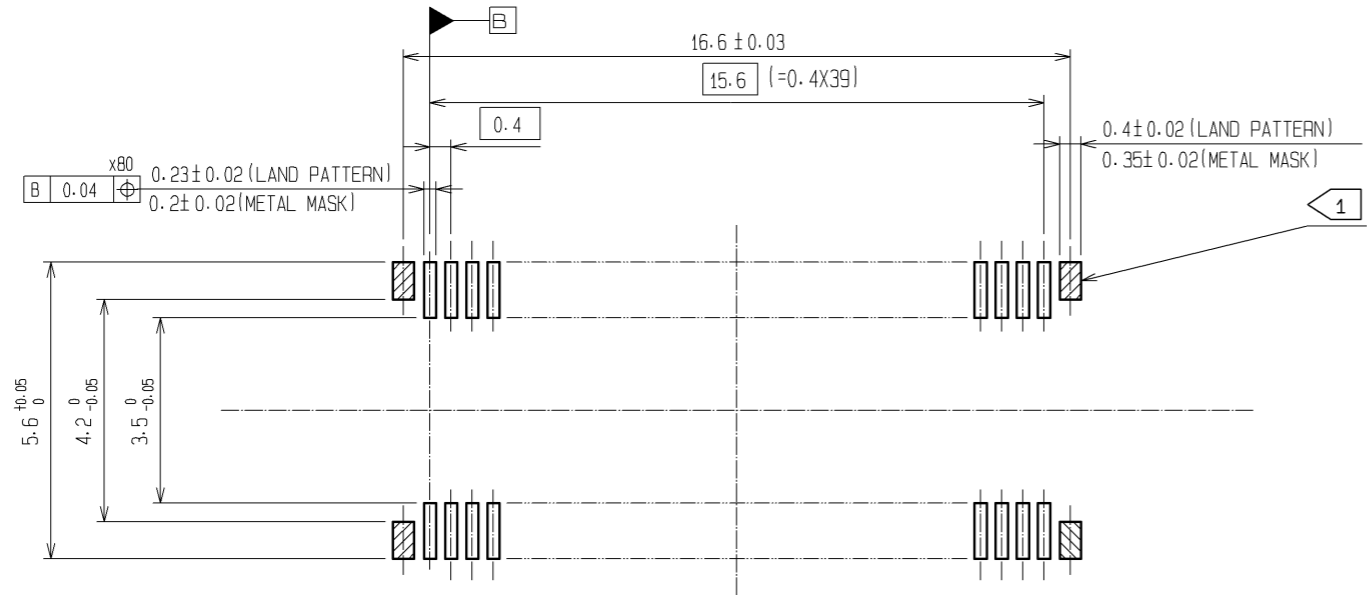


Apr.1.2017 Copyright 2017 HIROSE ELECTRIC CO., LTD. All Rights Reserved.



RECOMMENDED LAND PATTERN DIMENSION OF P.C.B. (FREE)
(METAL MASK THICKNESS: $t=0.12$)

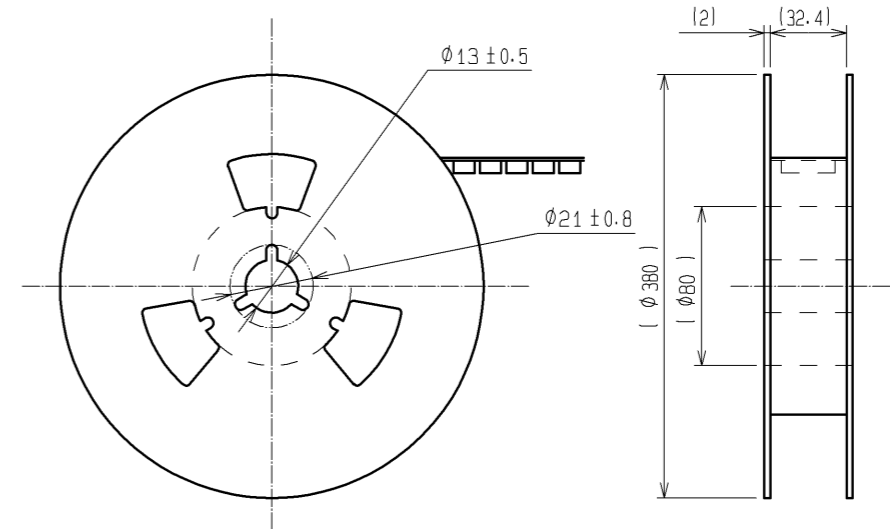
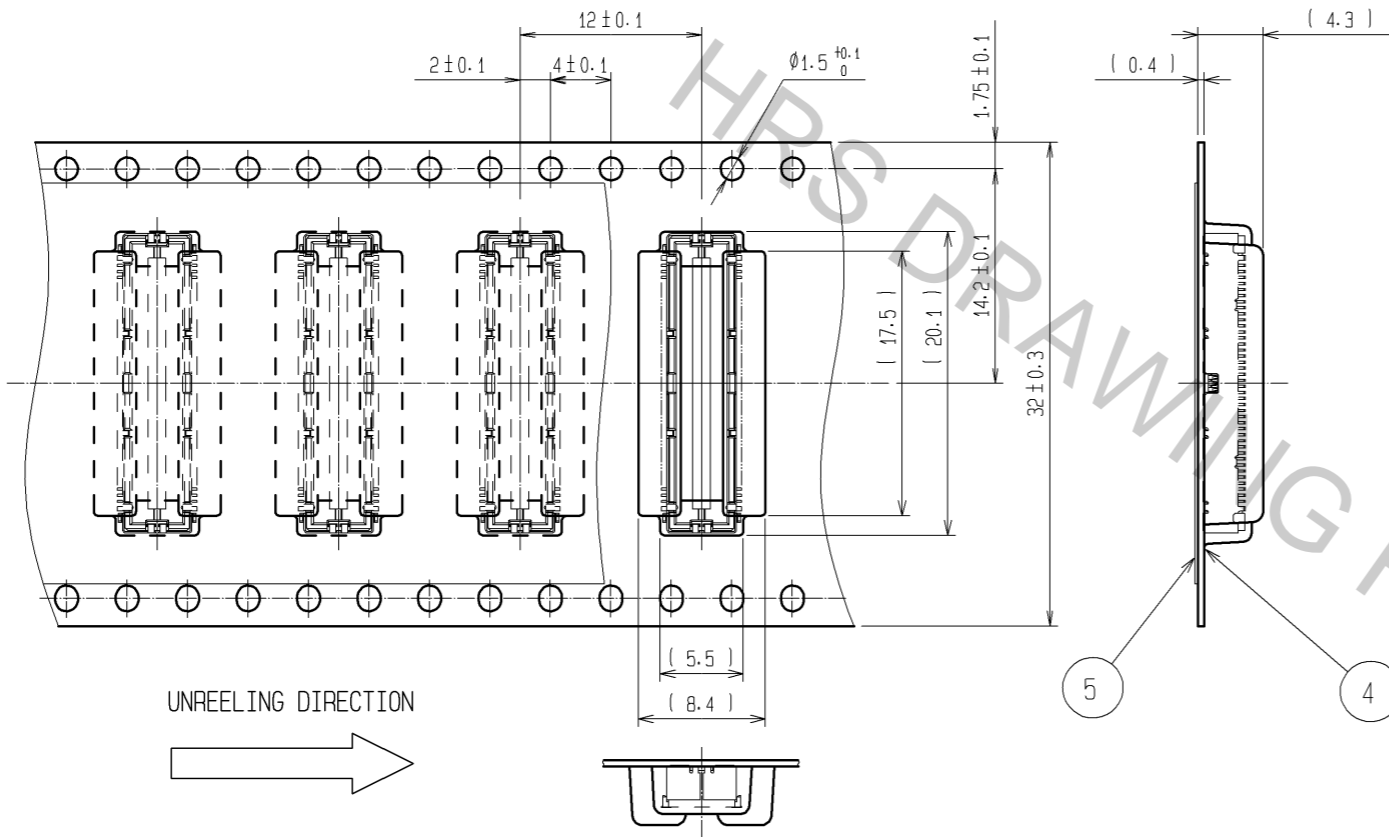


- NOTE
- 1 4 HATCHED PARTS:GROUND CIRCUIT.
 - 2 SMT LEAD CO-PLANARITY:0.1MAX.
 - 3 THIS PRODUCT HAS NO POLARITY TO PATTERN FOR MOUNTING.
 - 4 THE DIMENSIONS IN PARENTHESES ARE FOR REFERENCE.

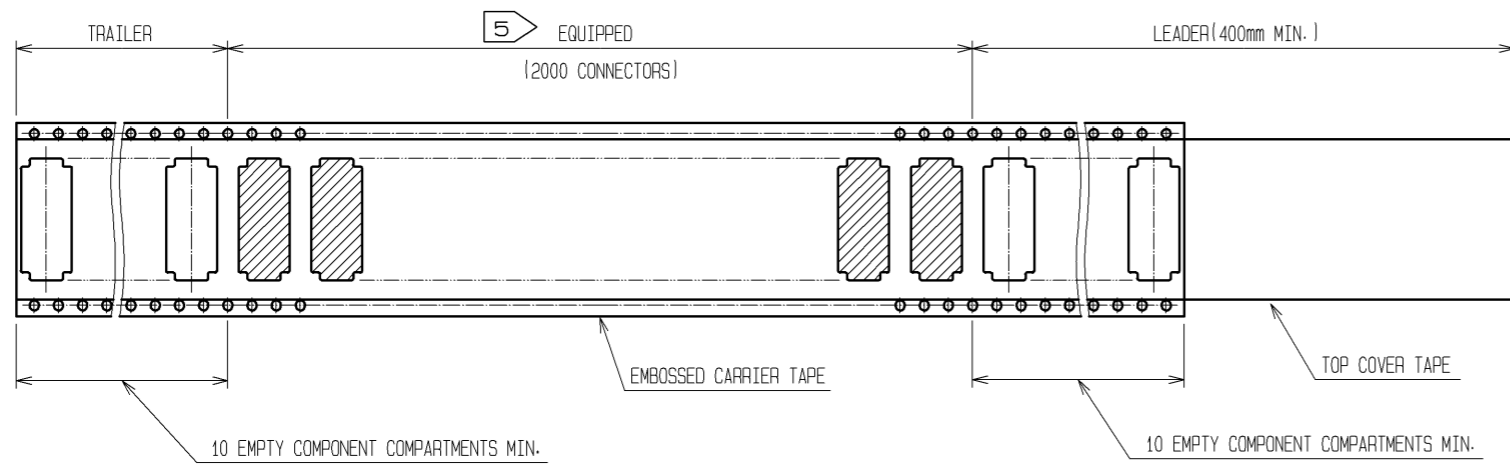
3	PHOSPHOR BRONZE	GOLD FLASH	2	PHOSPHOR BRONZE	CONTACT AREA:GOLD 0.1 μ m min. LEAD AREA:GOLD FLASH			
1	POLYAMIDE	BLACK UL94V-0			UNDER PLATING:NICKEL 1 μ m min.			
NO.	MATERIAL	FINISH . REMARKS	NO.	MATERIAL	FINISH . REMARKS			
UNITS mm		SCALE 10 : 1		COUNT	DESCRIPTION OF REVISIONS	DESIGNED	CHECKED	DATE
HRS HIROSE ELECTRIC CO., LTD.		APPROVED : HS. OKAWA	07.05.22	DRAWING NO. EDC3-156187-01				
		CHECED : HS. OZAWA	07.05.22	PART NO. FX12MB-80P-0.4SV				
		DESIGNED : KT. DOI	07.05.22	CODE NO. CL573-1009-1-00				
		DRAWN : TS. MIYAKI	07.05.17					

DRAWING FOR PACKAGING (2:1)

REEL DIMENSION (FREE)



UNREELING DIRECTION
→

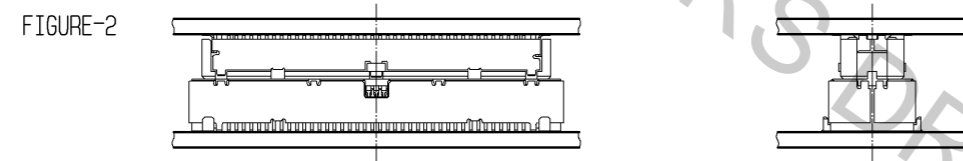
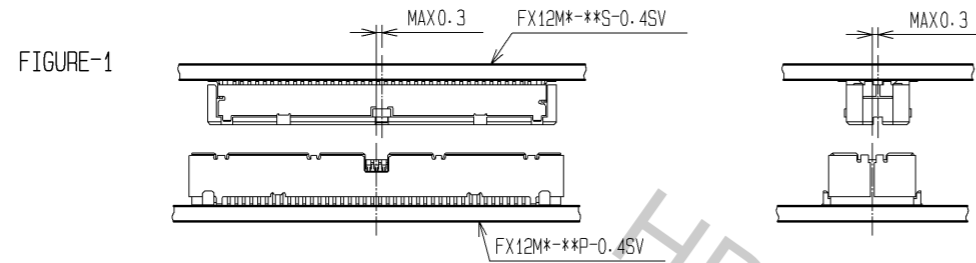


NOTE 5 1 REEL : 2000 CONNECTORS.

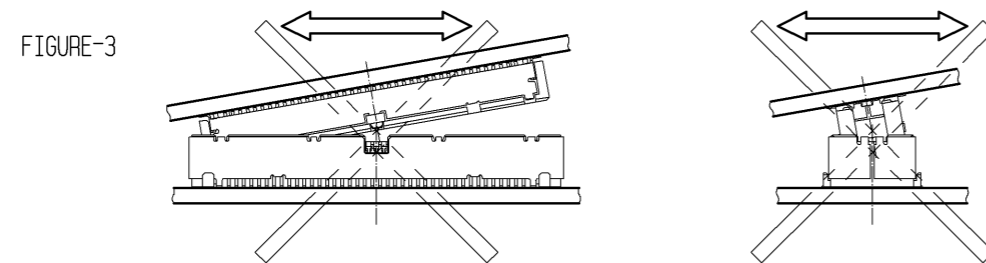
4	POLYSTYRENE	(EMBOSSED CARRIER TAPE)	5	POLYESTER	(TOP COVER TAPE)
NO.	MATERIAL	FINISH . REMARKS	NO.	MATERIAL	FINISH . REMARKS
UNITS mm		SCALE 2 : 1	COUNT △	DESCRIPTION OF REVISIONS	DESIGNED
HRS HIROSE ELECTRIC CO., LTD.		APPROVED : HS. OKAWA	07.05.22	DRAWING NO.	EDC3-156187-01
		CHECED : HS. OZAWA	07.05.22	PART NO.	FX12MB-80P-0.4SV
		DESIGNED : KT. DOI	07.05.22	CODE NO.	CL573-1009-1-00
		DRAWN : TS. MIYAKI	07.05.17		△ 2/3

CAUTIONS FOR USE

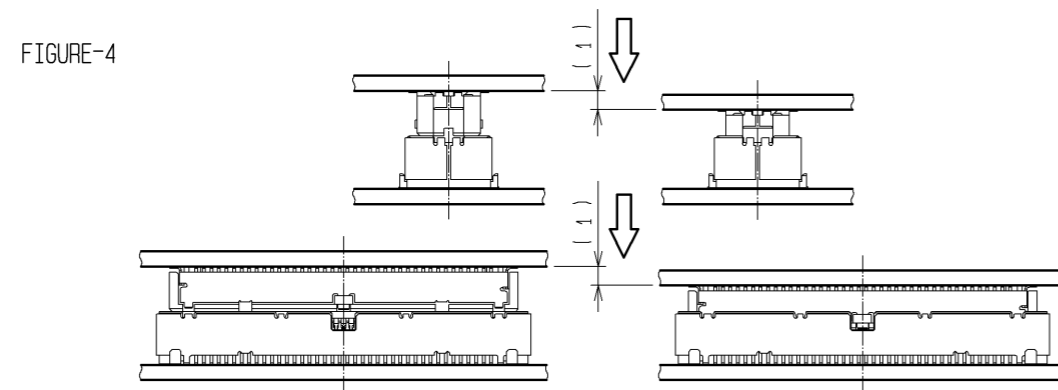
NOTES WHEN MATING FX12 SERIES CONNECTORS.



THE SELF ALIGNMENT RANGE OF THIS CONNECTOR IS 0.3 mm.
 PLACE THE CONNECTORS AT THE INITIAL MATING POSITION WHERE ITS MISALIGNMENT IS WITHIN 0.3 mm.
 THEN INSERT THE CONNECTOR ON THE CHAMFERED PARTS OF THE MATING-HALF'S OPENING. MAKE SURE TO
 KEEP THE CONNECTORS PARALLEL TO EACH OTHER.
 NOTE THAT ANGLED INSERTION OR THE PRESSURE APPLIED TO THE CONNECTORS BEFORE ALIGNMENT MAY
 RESULT IN DAMAGE TO MOLDED HOUSING OR CONTACT DEFORMATION.

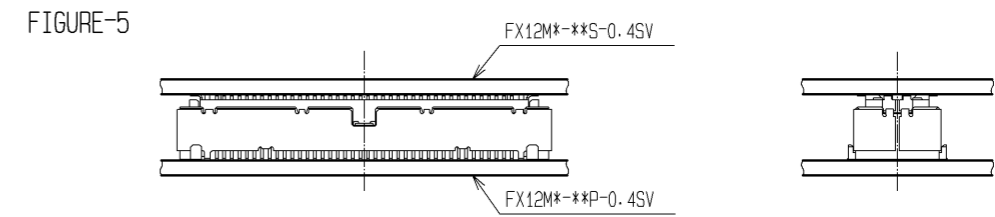


PRESS-DOWN EVENLY UNTIL SLIGHT RESISTANCE IS FELT.
 OVERCOMING THIS SLIGHT RESISTANCE WILL COMPLETE THE MATING OF RECEPTACLE WITH HEADER.
 A DEFINITE 'CLICK' SENSATION WILL CONFIRM THE FULLY MATED CONDITION.

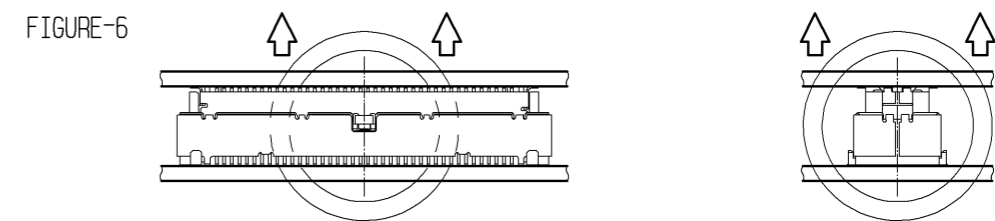


THE MATED CONDITIONS CAN BE RELEASED BY A DROP IMPACT.
 FIX THE CONNECTORS BY APPLYING PRESSURE IN THE MATING DIRECTION WITH THE DEVICE OR A BUFFER MATERIAL.

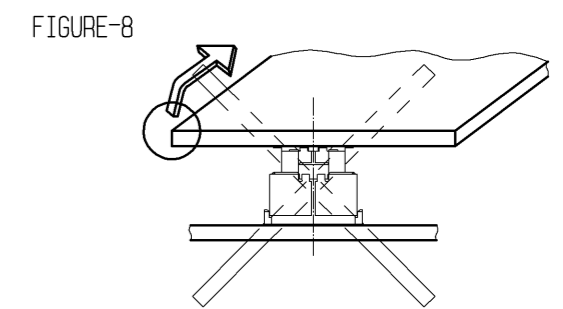
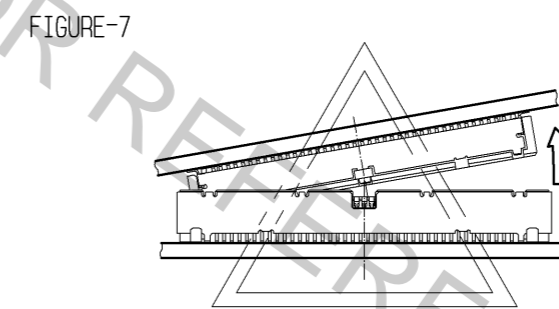
NOTES WHEN EXTRACTING



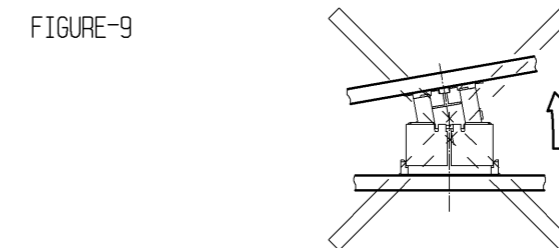
LEFT EVEN ONE SIDE, KEEPING BOTH BOARDS PARALLEL TO EACH OTHER.



WHEN HANDLING CIRCUMSTANCES PREVENT THE CONNECTOR FROM BEING KEPT
 LEVEL DURING UN-MATING, ONE END MAY BE LIFTED SEPARATE AS SHOWN ON FIGURE-7.
 DO NOT ATTEMPT THE START OF THE UN-MATING OF THE CONNECTORS FROM ONE SIDE (FIGURE-8)



WHEN REMOVAL IS FROM THE WIDTH ORIENTATION AS ILLUSTRATED IN THE DIAGRAM TO THE LEFT,
 DAMAGE COULD BE CAUSED TO THE CONNECTOR. DO NOT PERFORM REMOVAL FROM THE WIDTH ORIENTATION.



UNITS mm	SCALE FREE	COUNT	DESCRIPTION OF REVISIONS	DESIGNED	CHECKED	DATE
HRS HIROSE ELECTRIC CO., LTD.	APPROVED : HS. OKAWA	07.05.22	DRAWING NO.	EDC3-156187-01		
	CHECED : HS. OZAWA	07.05.22	PART NO.	FX12MB-80P-0.4SV		
	DESIGNED : KT. DOI	07.05.22	CODE NO.	CL573-1009-1-00		
	DRAWN : TS. MIYAKI	07.05.17				