

THIS DRAWING IS UNPUBLISHED.

RELEASED FOR PUBLICATION

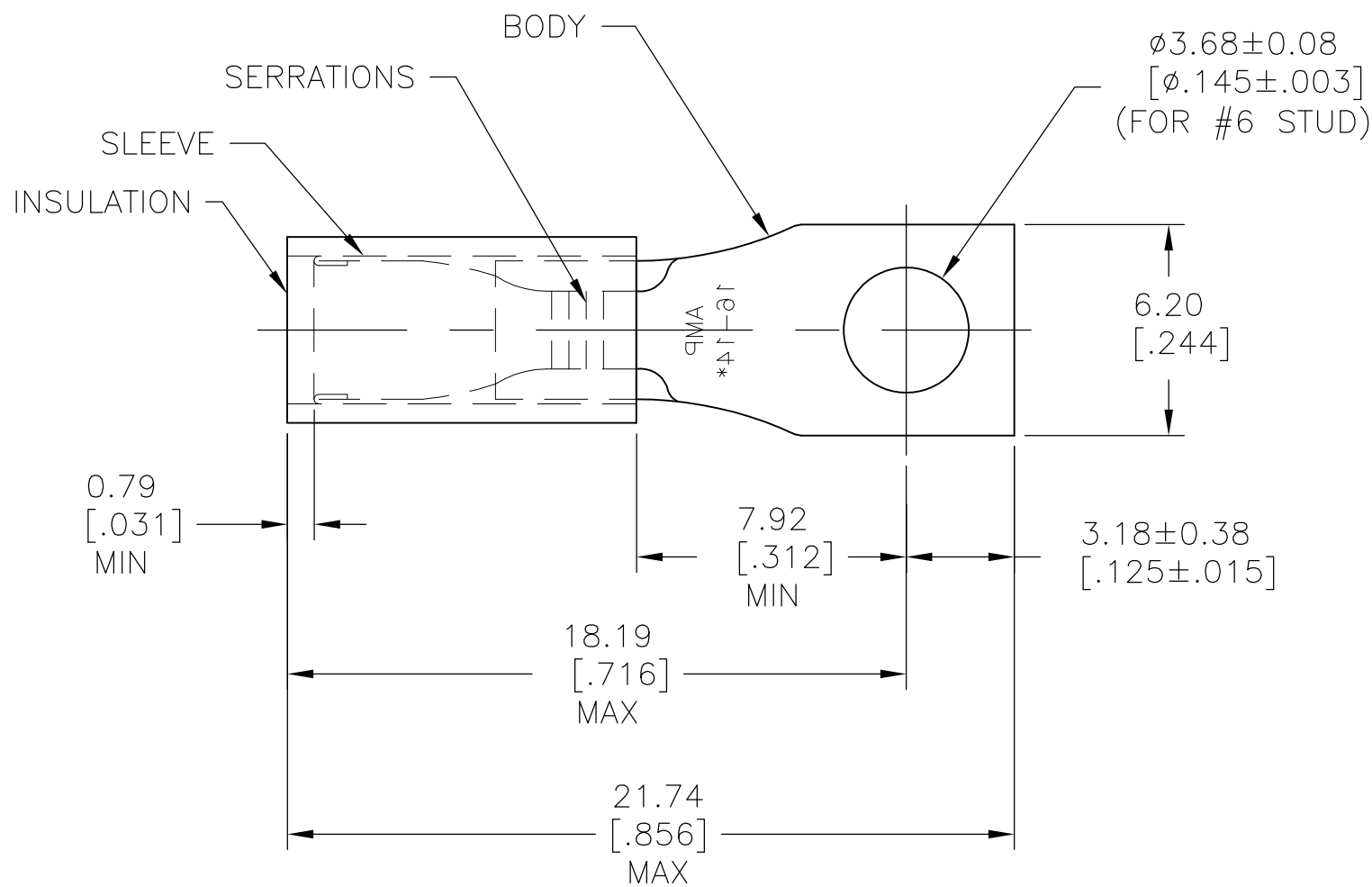
© COPYRIGHT BY TYCO ELECTRONICS CORPORATION.

ALL INTERNATIONAL RIGHTS RESERVED.

LOC G DIST 14

REVISIONS

P	LTR	DESCRIPTION	DATE	DWN	APVD
	E1	REVISED PER ECR-09-005960	14APR09	HMR	JR



△ 1 SUPERSEDED BY 33172

TONGUE MATERIAL THK = 0.79 ± 0.05 [.031 ± .002]
FOR 2.67 [.105] TO 3.81 [.150] WIRE INS. DIA

1	33172 ON TAPE	2-33172-1	INSULATION: NYLON COLOR: BLUE SLEEVE: COPPER (ASTM-B152) BODY: COPPER (ASTM-B152) TIN PL (ASTM-B545)
1	WIRE TERMINAL	33172	
QTY	DESCRIPTION	PART NO	MATERIAL & FINISH

THIS DRAWING IS A CONTROLLED DOCUMENT.		DWN RAGHAVENDRA 14APR09	Tyco Electronics Corporation Harrisburg, PA 17105-3608	
DIMENSIONS: mm [INCHES]		CHK JEFF RUTH 14APR09		
TOLERANCES UNLESS OTHERWISE SPECIFIED:		APVD Tom Michielutti 14APR09	NAME WIRE TERMINAL	
0 PLC ± - 1 PLC ± - 2 PLC ± - 3 PLC ± 0.20 [.008] 4 PLC ± - ANGLES ± 5°		PRODUCT SPEC -	P.I.D.G.-RECTANGULAR TONGUE	
MATERIAL SEE TABLE		APPLICATION SPEC -	WIRE SIZE: 16-14	
FINISH SEE TABLE		WEIGHT -	SIZE A3	CAGE CODE 00779
		CUSTOMER DRAWING	DRAWING NO G-33172	RESTRICTED TO -
		SCALE 5:1	SHEET 1 OF 1	REV E1